

PART NAME

NEMA 4X DIE CAST ALUMINUM ENCLOSURE

PART No.

AN-1316, AN-1316-G, AN-2816 & AN-2816-B

REV. DATE

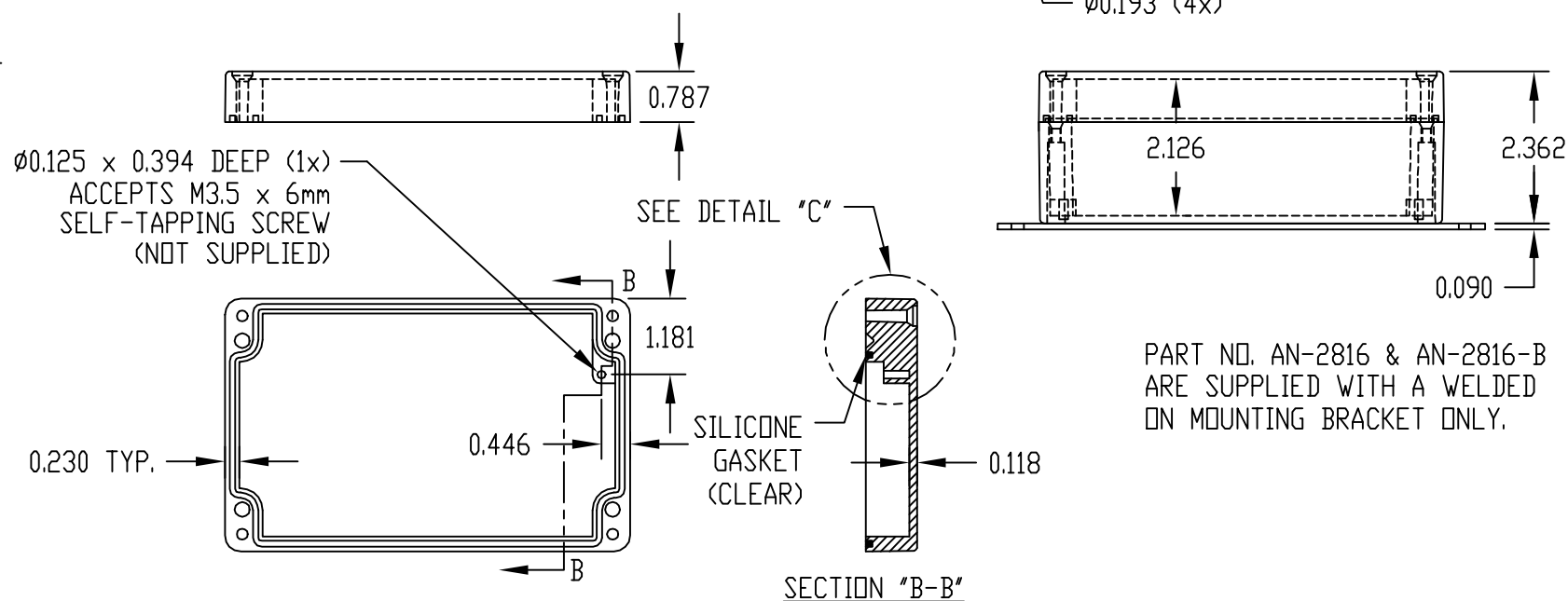
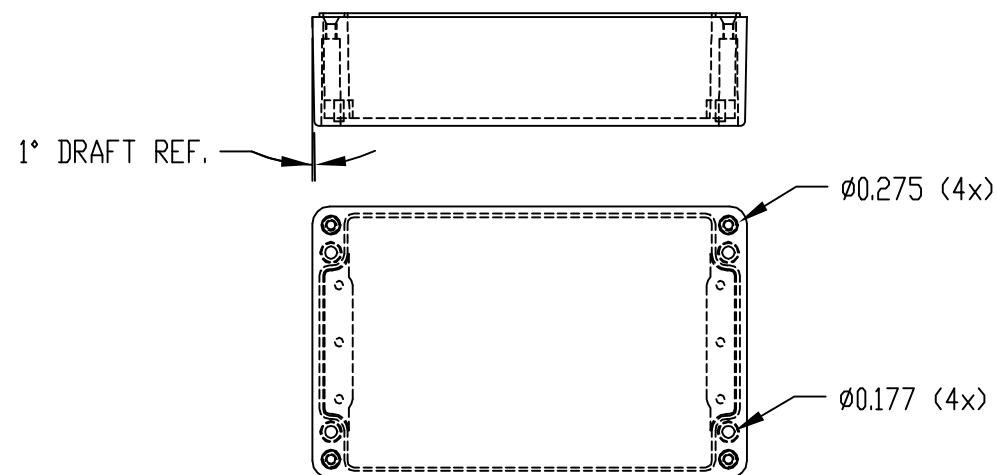
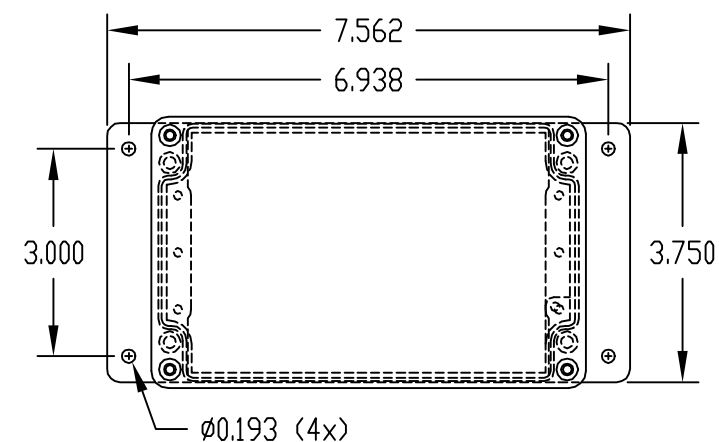
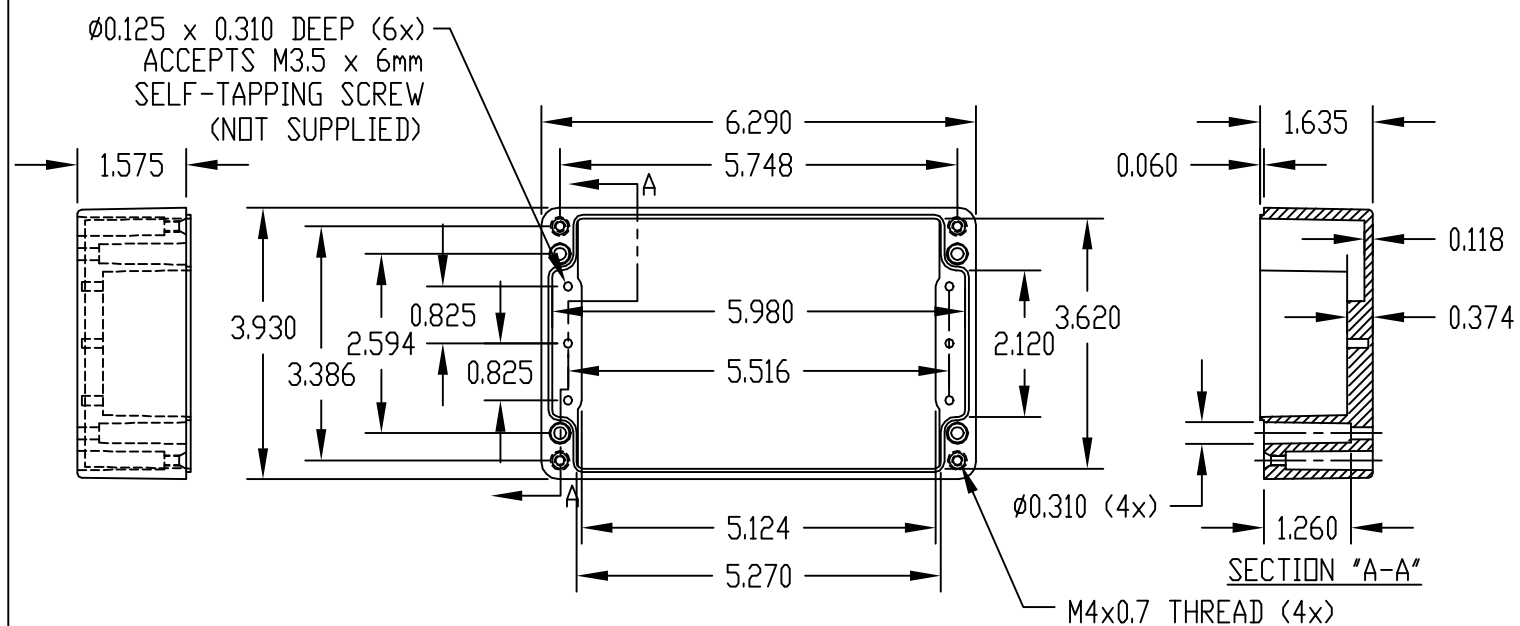
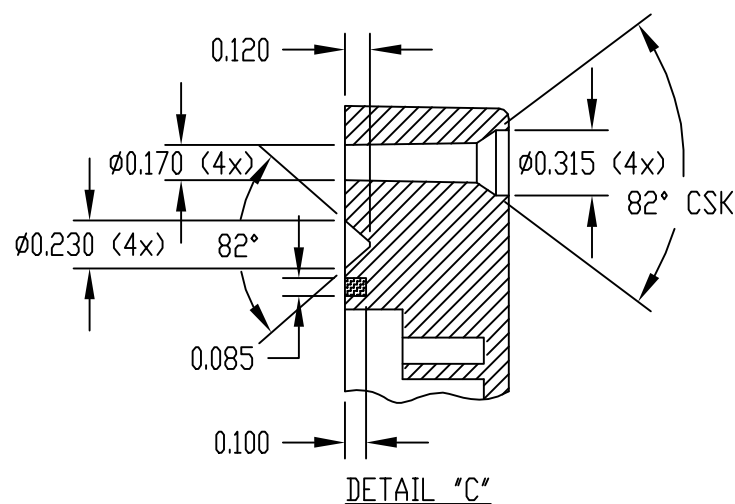
3-24-10

MATERIAL: ALUMINUM ALLOY #ADC-12

FINISH: NATURAL (NO SUFFIX)
GRAY (SUFFIX -G)
SMOOTH BLACK (SUFFIX -B)

NOTES:

- 1) FOUR (4) M4x0.7 x 30mm (1.181") LG. SCREWS SUPPLIED FOR ASSEMBLY OF COVER TO BODY.
- 2) ALL HOLE DIAMETERS HAVE ±0.005 TOLERANCE ALL OTHER DIMENSIONS HAVE ±0.015 TOLERANCE



0.125 x 0.394 DEEP (1x)
ACCEPTS M3.5 x 6mm
SELF-TAPPING SCREW
(NOT SUPPLIED)

PART NO. AN-2816 & AN-2816-B
ARE SUPPLIED WITH A WELDED
ON MOUNTING BRACKET ONLY.

COVER